


## PRODUCT SHEET

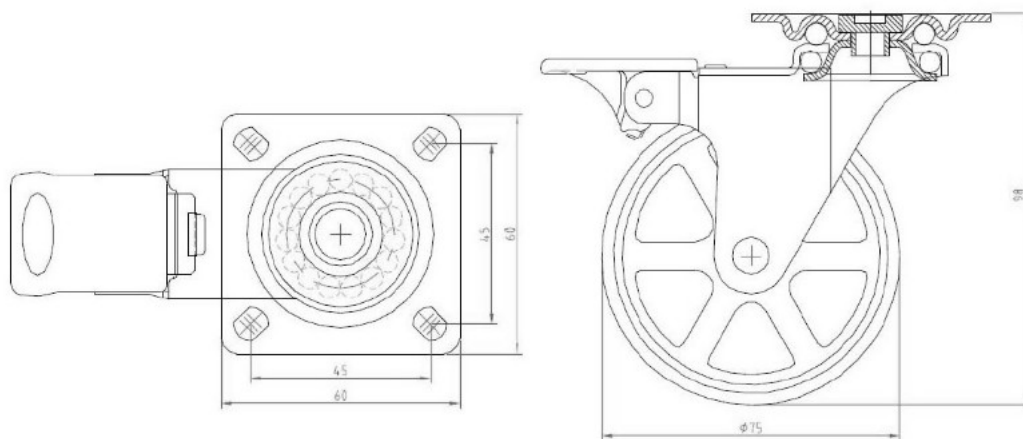
### Description:

Fork Castor "Jac"  $\varnothing$ 75mm, W/Top PL 60x60x2mm,W/Brake,Black PU Rings, Bright Anodized Aluminium Wheel, Chrome Pl. Steel, Fork, Zinc Plated Top Plate cc:44mm, Load Capacity: 50KG

### Item number:

08.12.356-0

Units	Box	Carton	HS Code	Barcode
Pcs.	4	32	8302200090	 5704866478168



### SISO A/S

Mileparken 11  
DK-2740 Skovlunde  
Denmark  
VAT: DK 24786013

Phone +45 45 830 900

[www.siso.dk](http://www.siso.dk)  
[siso@siso.dk](mailto:siso@siso.dk)

Danske Bank  
Nytorv Branch  
Copenhagen  
SWIFT: DABADKKK

Account no.  
4180 3112 112936  
IBAN Account  
DK7230003112112936